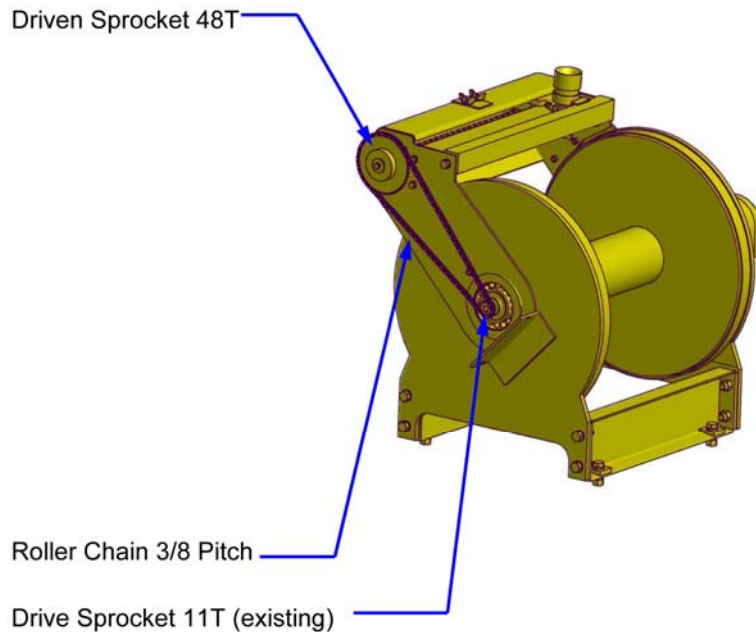


We inform...

Product development



Levelwind

Atlas Copco Exploration Products has made available a Levelwind sprocket and chain kit for CS3001 & CS4002 drill rigs equipped with the above levelwind.

If you have any questions or concerns, please contact Mike Louiseize at:

mike.louiseize@ca.atlascopco.com

Improvements

- Driven sprocket now had 48 teeth
- Provides smoother rope spool
- Wireline sprocket & chain kit for 3/16" wire rope p/n 37600012455

Paul Brear

Product Manager
Atlas Copco Exploration Products
paul.brear@ca.atlascopco.com